

SAE Net Horsepower: 160 HP (119.3 kW)  
Operating Weight: 56,900 lbs. (25 800 kg)  
Digging Depth: 21 ft 10 in (6.65 m)

# 245x4



TRACKERS  
EQUIPMENT

**Link-Belt**  
EXCAVATORS



# PERFORMANCE, PRODUCTIVITY AND RELIABILITY COME STANDARD

Link-Belt 245 X4 Series excavators are built to exceed your expectations. We redesigned the control spools and incorporated spool stroke control (SSC) functions into the hydraulic system to reduce pressure loss and distribute hydraulic oil more smoothly, reducing cycle times by up to 10%. Expect more power and fuel efficiency, thanks to an innovative Final Tier 4 engine that delivers up to 5% improved fuel efficiency, **without a Diesel Particulate Filter (DPF) to maintain or replace!** Settle in to the roomiest, most accommodating cab in its class, with more legroom and a new high-back, heated seat for shift-long comfort. Daily maintenance is a snap, with ground-level access to all service points, easily opened by hand.



# INNOVATION AND ATTENTION TO DETAILS AT EVERY LEVEL



- Three power modes (Speed Priority, Heavy and Applied Power) let you **choose the best blend of power, precision and fuel savings** for the work you're doing



- EPA Final Tier 4 engine is **fuel efficient without sacrificing power**



- **No DPF** to ever worry about!
- 2-3% DEF (Diesel Exhaust Fluid) consumption rate relative to fuel consumption, combined with one of the largest DEF tank capacities lets you work long hours between refills



- Ground level access to routine service points lets you **cut daily maintenance down to just minutes**



- Quiet, pressurized cab offers **excellent visibility and comfortable, best-in-class seating**
- Enough floor space to **accommodate the largest of work boots**, with cup holders and roomy storage compartments for cell phones, snacks and other personal items



- Dual cab working lights are standard, or choose optional LEDs for **added visibility**



- Ergonomic joysticks **fit your hand perfectly**

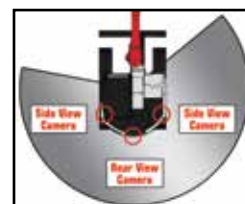
- 7" high-definition LCD monitor **keeps you connected to your machine and work environment**



- RemoteCARE® telematics **keeps a watchful eye** on performance, maintenance intervals and theft deterrence



- Full-time, rear-view camera display is standard; add the WAVES™ option for a **seamless 230° view around the machine**



- Structural improvements to the boom and arm **reduce stress and provide greater durability**



- Robust undercarriage features **larger track rollers and thicker plating for longer life**



- Unique side-frame design **reduces dirt accumulation** and is **easier to clean**

- Add Link-Belt **2D Machine Guidance** to **maintain a consistent grade and depth control** for all projects. Choose **2D Machine Control** for semiautonomous digging; operator controls the speed of the stick while the boom and bucket automatically adjust to maintain the target grade.



\*All improvements and percentage increases are in reference to Link-Belt X3 Series excavators, unless otherwise stated

# QUICK AND RESPONSIVE TO TAKE ON TOUGH CHALLENGES





Greater digging power and increased lift capacities are the result of our innovative Spool Stroke Control (SSC) system, which reduces pressure loss and distributes hydraulic oil more smoothly. Pilot pressure sensors detect the type of work being done—such as digging or leveling—and then relays that data to proportional solenoid valves that quickly determine where optimal hydraulic pressures should be directed for that operation.

Two electronically-controlled Kawasaki variable-displacement axial-piston pumps and one Kawasaki gear pump assure that hydraulic power is delivered precisely when and where it's needed. At the same time, hydraulic flows in noncritical areas of the system are reduced.

The result is better breakout force, more lifting strength and faster machine response. You'll dig, swing and dump quicker than ever before...with up to 10% faster cycle times and up to 5% improved fuel efficiency!

- Proprietary hydraulic system
- Electronically-controlled pumps for improved cycle times, quicker response and more efficient machine operation
- Move more dirt per gallon of fuel



The X4 Series features innovative EPA-certified Final Tier 4 engines from Isuzu that strike the ultimate balance between power, productivity and fuel efficiency. You'll experience up to 5% improved fuel efficiency, without having to worry about costly diesel particulate filters (DPF) to maintain or replace. Three engine modes provide reliable power and control for any machine application. Choose Speed Priority (SP mode) to get jobs done quickly, Heavy (H mode) for the best blend of power and fuel savings or Applied Power (A mode), with 13 different RPM settings for precise control of heavy lifting, fine grading or leveling work.

- EPA-certified Tier 4 Final
- No DPF to maintain
- Up to 5% improved fuel economy
- 500-hr. fuel filters service intervals
- 6 diesel tank refills per 1 diesel exhaust fluid (DEF) refill
- 2-3% DEF consumption rate relative to fuel consumption
- Two-stage DEF anti-freeze system for protection in harsh operating conditions
- 30 hrs. between auto SCR regenerations, only takes 5-8 minutes to complete!
- VGT (Variable Geometry Turbocharger)



# POWER AND EFFICIENCY WITHOUT COMPROMISE



# PRECISION GRADE<sup>®</sup> IMPROVES PRODUCTIVITY AND ACCURACY

Add Precision Grade<sup>®</sup> 2D Machine Guidance to maintain a consistent grade and depth control for all projects. Choose Precision Grade 2D Machine Control for semiautonomous digging; operator controls the speed of the stick while the boom and bucket automatically adjust to maintain the target grade.

## 2D Machine Guidance (MG)

Fit this machine with the Precision Grade<sup>®</sup> 2D Machine Guidance (MG) system to help improve excavator operations on projects such as trenching for utilities and pipelines, digging footers and basements, site prep, road building and padwork excavation. Simply input the target depth, cross slope, and or mainfall slope required from the job and the system will provide visual and audible indication to help the operator maintain a desired grade thus eliminating under or over excavating. The 2DMG system utilizes external inertial measurement unit (IMU) sensors to provide highly accurate guidance at a lower cost compared to “in-cylinder sensors”.

- The touchscreen indicates the position of the attachment relative to the target grade at all times without relying on a grade checker.
- Measurement mode enables the operator to use the excavator attachment as a precise measuring tool.
- Guidance mode displays depth, attachment angle, height and depth limitation alarm.
- Guidance system only, operator is in full control of the machine.
- Operators are up to 30% more productive with 2DMG compared to without technology.



## 2D Machine Control (MC)

The Precision Grade 2D Machine Control (MC) system enables operators to dramatically improve their productivity and accuracy while reducing their mental fatigue by automating the movement of the boom and bucket to keep the bucket cutting edge on the desired target grade. 2DMC is ideal for applications that require the last pass to perfectly match the desired target grade whether it's a flat or sloping surface. The 2DMC system adds a machine control joystick in the cab to engage the semi-automatic boom and bucket control.

- Create smooth, flat or sloped surfaces more easily when the excavator is placed in Autos mode.
- Semi-automatic function intended for the last pass at the desired target grade, not for bulking out or mass excavation.
- The operator controls the speed of the stick while the boom and bucket automatically adjust to maintain the target grade.
- The operator is in full control and can override the semiautomatic function at all times.
- Operators are up to 30% more productive with 2D MC excavator automatics compared to a 2DMG system.





The X4 Series offers the most advanced and roomiest cab in its class. Comfortable, automotive-grade high-back seat with head rest provides superior lumbar back support. With a longer and wider seating surface, it reclines to a 155° maximum reclining angle to create a relaxed environment during breaks. Mechanical suspension is standard, with air suspension, seat tilting adjustment and seat heaters available as options.

The cab layout also includes ergonomically-designed arm rests that move with console, maintaining a constant distance between joysticks and arm rests no matter how the seat is adjusted.

- Quiet, pressurized cab
- Joysticks with easy-to-hold grip and switches
- Convenient 'radio mute' & one touch wiper switch on joystick
- Optional proportional joysticks w/ auxiliary hydraulics control
- Cup holder and storage areas for cell phones and other small items
- Dual halogen cab lights standard
- Full time rear camera display
- Optional RH & LH side cameras
- ROPS and FOPS Level 1 certified, optional FOPS Level 2 head guard available
- Optional LED lights use less energy and are 3X brighter!
- Optional retractable rear window shade
- Optional front sun visor
- Improved radio with USB port and Bluetooth for hands-free communication.








High-Definition LCD monitor has a full-color 7" display that rivals the resolution found in luxury automobiles. Controls are easy to read and easy to use. The rear-view camera activates automatically whenever the machine is started, and sight guidelines have been added for increased safety.

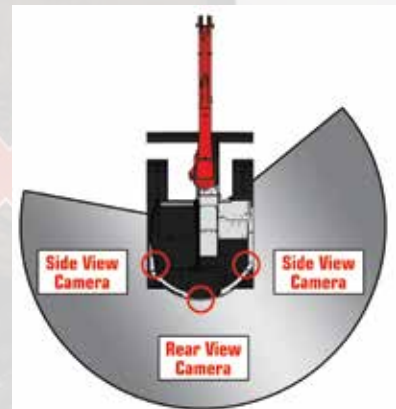
- Anti-glare coating on screen
- Track up to 14 service maintenance reminders
- System/machine warning messages
- Easy-to-use auto idle and auto shutdown feature
- Select and set up attachments: 5 presets for breakers; 5 presets for crushers
- In-cab flow & pressure controls for auxiliary hydraulics
- Anti-theft system
- Auto-adjusts for time and calendar
- 24 languages available
- Ability to view fuel consumption



# WAVES™

WIDE-ANGLE VISUAL ENHANCEMENT SYSTEM

For the ultimate in visibility, X4 machines can be fitted with the Wide Angle Visual Enhancement System - or WAVES for short. Using three closed-circuit cameras, this optional viewing system provides an unbelievable 230° visual coverage around the machine, eliminating any potential blind spots from the operator's line of sight. WAVES images can be displayed on the standard X4 monitor.





# GET WORKING FAST WITH EASY ACCESS TO SERVICE POINTS

Maintenance is a snap, with ground level access to all routine service points, including batteries, fuel filters, engine oil filter, dual-element air filter and cab fresh air filter.

- Radiator screens are easy to remove and clean from ground level...no tools needed!
- A/C Condenser tilts for easy cleaning and maintenance
- Easy battery compartment access; 2 hand-turn knobs
- Improved battery disconnect switch with no keys needed
- Convenient ground-level sample ports in pump compartment
- Green drain plug and hose
- More data collection points
- Automatic door locking mechanism on side door
- Quick and easy access to grease all attachment pivot points
- Grease cylinder track adjusters make adjusting track tension a breeze
- New undercarriage side frame design enables easier cleaning
- In-cab reminders track 14 different maintenance procedures



# TELEMATICS WITH NO SUBSCRIPTION FEE

RemoteCARE® lets you remotely monitor and track machine location, operational performance, working status and periodic maintenance requirements - now at no cost to you. It tracks and records both routine and major service intervals for your machines, giving you more flexibility and control when scheduling maintenance procedures. It also lets you be more proactive if potential failure conditions arise; whenever a diagnostic trouble code (DTC) is detected, a warning message appears on the machine display, and an e-mail alert is automatically sent to you. RemoteCARE also assists in theft prevention by offering 24/7 surveillance and geofencing capabilities.

## FREE Subscription Includes:

- ✓ 24/7 Remote Monitoring and Security
- ✓ Machine Location
- ✓ Geo-fence & Curfew Range
- ✓ Actual Fuel Consumption
- ✓ Fuel Levels
- ✓ Hour Meter Reading
- ✓ Radiator Water Temperature
- ✓ Machine Working Time/Idle Time
- ✓ Attachment Working Hours
- ✓ Working Modes
- ✓ Service Maintenance Reminders
- ✓ Service Warnings



## REMOTE CARE® APP

Manage your Link-Belt equipment with this user friendly telematics management tool with GPS technology. The RemoteCARE App provides timely and reliable machine utilization – as well as assisting in DTC notifications. With RemoteCARE you will be able to remotely monitor and track your machine's location, operational performance, and working status. Contact your local Link-Belt dealer for questions.

### App features include...

- Machine location
- Fuel consumption
- Utilization report
- Fuel efficiency
- Analytical snapshots
- Idle rate
- DTC notification history
- Favorite list

Download Apple or Android app at [lboxco.com/apps](http://lboxco.com/apps) for phone and tablet.



# BUILT STRONG TO HANDLE ANYTHING

X4 machines are more rugged and durable, with robust structural improvements to the boom & arm structures, along with improvements to lower frame and travel components.



## Boom & Arm

- Improved boss shapes reduce stress on boom and arm pin
- Cast boom tip for increased reliability



## Lowers

- Thicker travel motor case - 16% increase
- Optimized position of carrier roller
- Unique side-frame design reduces dirt accumulation and is easier to clean.



# CUSTOMER SUPPORT IS JUST A CALL AWAY

A network of Link-Belt Excavator dealers across the U.S. and Canada is waiting to serve you. Expect fast and dependable service, backed by 24/7 access to parts.

## Exceptional Warranty Coverage

All X4 excavators purchased after July 1, 2020 are backed by a 5-year/5,000-hour Full Machine Warranty, 5-year/10,000-hour Structural Warranty, along with participation in the X4 Fluid Analysis Program for the duration of the warranty (free with all X4 machines). Extended warranty coverage packages are also available.

Contact your dealer for complete details.



# SPECIFICATIONS



## Engine

Isuzu AR-4HK1X Final Tier 4 turbocharged diesel engine with electronic control (ECM) and high pressure common-rail fuel injection, 4-cylinder, water-cooled, Exhaust Gas Recirculation (EGR), Intercooler, Variable-Geometry Turbocharger (VGT), Diesel Oxidation Catalyst (DOC) and Selective Catalytic Reduction (SCR) system with Dosing Control Module and heated DEF lines and tank. Electronic fuel pump and priming, Fuel cooler, Auto-idle start, Auto warm-up, EPF engine protection, dual-stage fuel filtration, remote oil filter, engine oil sample port, green plug oil drain, double element air filter.

Net Horsepower .....	160 hp (119.3 kW) @ 1,800 rpm
Displacement .....	317 cu in (5.2 L)
Maximum Torque .....	457 lbf-ft (620 Nm) @ 1,600 rpm
Starter .....	24V-5.0 kW
Alternator .....	50 amp
Battery .....	(2) 12-volt 92 amp hours



## Cab and Controls

ROPS and FOPS Level 1 certified with automatic climate control A/C and heat with defroster, 7" LCD Hi-Definition color monitor with full time rear view camera display, fuel efficiency gauge, low-effort joysticks are pre-wired for auxiliary hydraulics, dual cab lights, pattern control valve, safety glass windows, sunroof with sunshade, shockless cab suspension with four fluid-filled cab mounts, SCM High-Back reclining suspension seat, sliding 4-position tilting control consoles, AM/FM sound system with MP3 auxiliary input jack, digital clock, dome light, seat belt, coat hook, cup holder, storage compartments, floor mat, footrests, ashtray, 24V cigarette lighter, 12V outlet, travel alarm, handrails, mirrors, side-entry cab filter.

Three selectable work modes, RemoteCARE Telematics GPS system, anti-theft password protection system, onboard self-diagnostic system with memory and service interval reminders, auto idling system, one-touch decelerator, auto-idle engine shutdown, auto-power boost, neutral safety start, gate-lock safety shutoff.



## Hydraulic System

Open-center system, two variable-displacement electronically controlled axial-piston pumps and one gear pump for pilot controls, main control valve with one 4-spool section and one 5-spool section with auxiliary spool: stackable, Auxiliary Control System, oil cooler, Auto-Power boost, boom and arm holding valves, 6 micron return filter, firewall, hydraulic oil sample port.

### Hydraulic Pumps

Pump Output .....	2 x 55.7 gpm (211 L/min)
Pilot Pump Maximum Flow .....	4.8 gpm (18 L/min)

### Relief Valve Settings

Boom / Arm / Bucket .....	4,970 psi (34.3 MPa)
in Power Boost .....	5,410 psi (37.3 MPa)
Swing Circuit .....	4,260 psi (29.4 MPa)
Travel Circuit .....	4,970 psi (34.3 MPa)

### Hydraulic Cylinders

	number of cylinders - bore x stroke
Boom .....	2 - 4.7" x 53.9" (120 mm x 1,370 mm)
Arm .....	1 - 5.5" x 57.4" (140 mm x 1,460 mm)
Bucket .....	4.7" x 39.8" (120 mm x 1,010 mm)



## Swing

Planetary reduction powered by axial-piston motor, Internal ring gear with grease cavity for swing pinion, Swing bearing is single-row, shear type ball bearing, Mechanical disc swing brake, Free swing.

Swing Speed .....	11.5 rpm
Tail Swing .....	5' 10" (1.79 m)
Swing Torque .....	47,200 lbf-ft (64 kNm)

## Undercarriage

X Pattern carbody with 14' 8"(4.47 m) long undercarriage by 7' 10"(2.39 m) track gauge, Sealed and strutted track chain with track guide, Sealed rollers and idlers, Two-speed independent hydrostatic travel with planetary final drive, Disc type brakes, Adjustable track tension, Carbody belly pan.

Carrier Rollers .....	2 per Side
Track Rollers .....	8 per Side
Track Link Pitch .....	7.48" (190 mm)
Shoes .....	49 per Side
Shoe Width .....	31.5" (800 mm)
Ground Pressure .....	5.80 psi (0.040 MPa)



## Travel System

Two-speed independent hydrostatic travel with axial-piston motors, Hydraulic motor powered output shaft coupled to a planetary reduction drive and track sprocket, All hydraulic components mounted within the width of side frame, Automatic downshift for high torque to overcome obstacles, Spring-applied hydraulic release parking brake built into each motor, Travel motors equipped with counterbalance valve to prevent over-speeding down an incline, Single-pedal straight line travel.

Travel Speeds .....	2.0 - 3.1 mph (3.2 - 5.0 km/h)
Drawbar Pull .....	45,000 lbf (200 kN)
Gradeability .....	70% (35°)



## Attachment

Boom .....	18' 8" (5.70 m)
<b>Available Arms</b>	<b>Digging Force</b>
• 9' 8" (2.94 m) .....	23,200 lbf (103 kN)
with Auto Power Boost .....	25,200 lbf (112 kN)
• 7' 10" (2.40 m) .....	27,700 lbf (123 kN)
with Auto Power Boost .....	30,000 lbf (133 kN)
• Bucket Digging Force .....	31,800 lbf (142 kN)
with Auto Power Boost .....	34,600 lbf (154 kN)



## Lubricant & Coolant Capacity

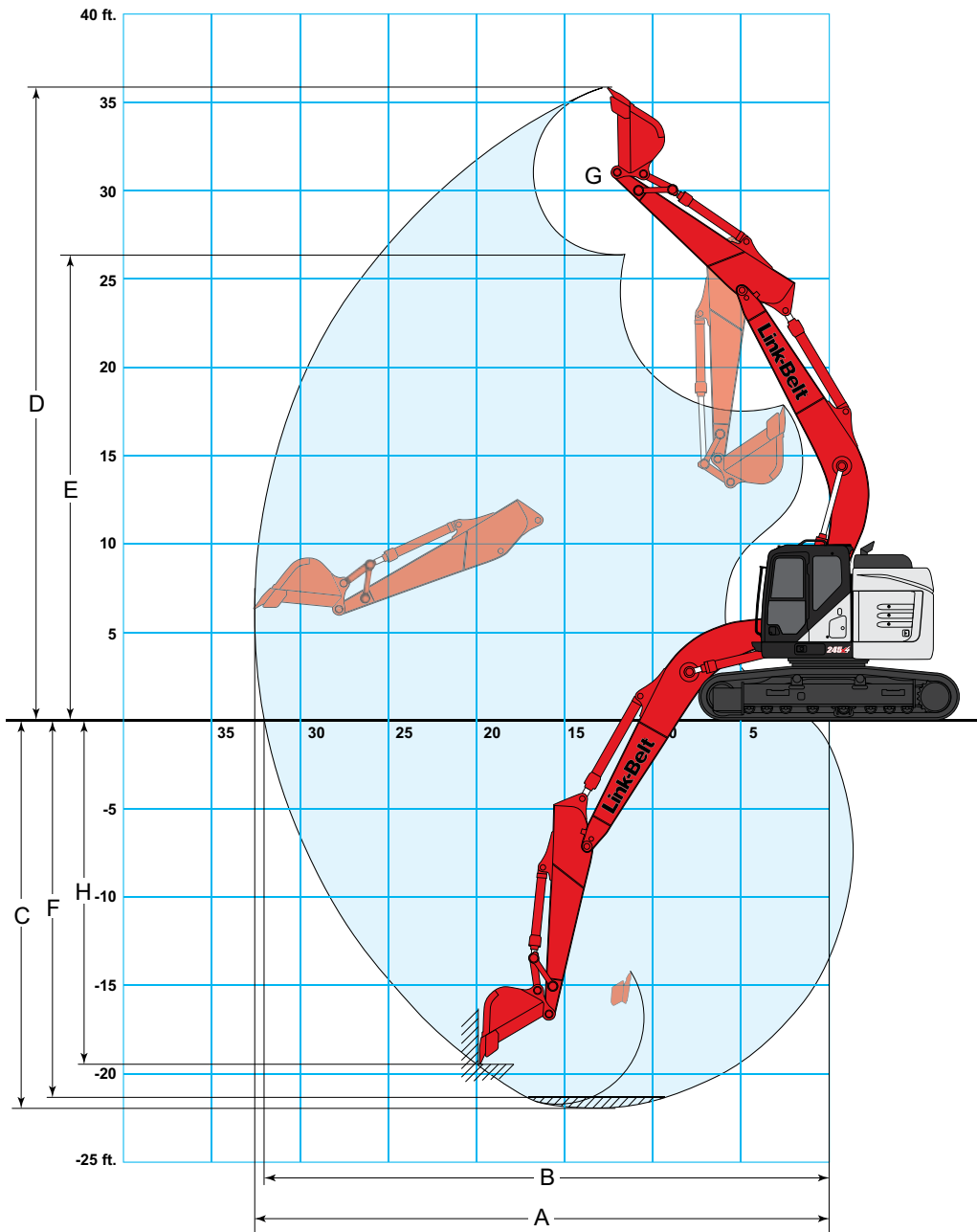
Fuel Tank .....	85 Gallons (320 Liters)
Hydraulic System .....	67 Gallons (252 Liters)
Hydraulic Tank .....	30 Gallons (114 Liters)
Final Drive (per side) .....	1.3 Gallons (5 Liters)
Swing Drive .....	1.3 Gallons (5 Liters)
Engine Oil .....	6.1 Gallons (23.1 Liters)
DEF Tank .....	11.4 Gallons (43 Liters)
Coolant System .....	8.4 Gallons (31.9 Liters)



## Operating Weight

Working weight with 31.5" (800 mm) shoes, 18' 8" (5.70 m) boom, 9' 8" (2.94 m) arm, 1,435 lb. (651 kg) bucket, 16,400 lb. (7 430 kg) counterweight .....	56 900 lbs. (25,800 kg)
Working weight with 23.6" (600 mm) shoes, 18' 8" (5.70 m) boom, 9' 8" (2.94 m) arm, 1,435 lb. (651 kg) bucket, 16,400 lb. (7 430 kg) counterweight, dozer blade .....	58 100 lbs. (26,400 kg)

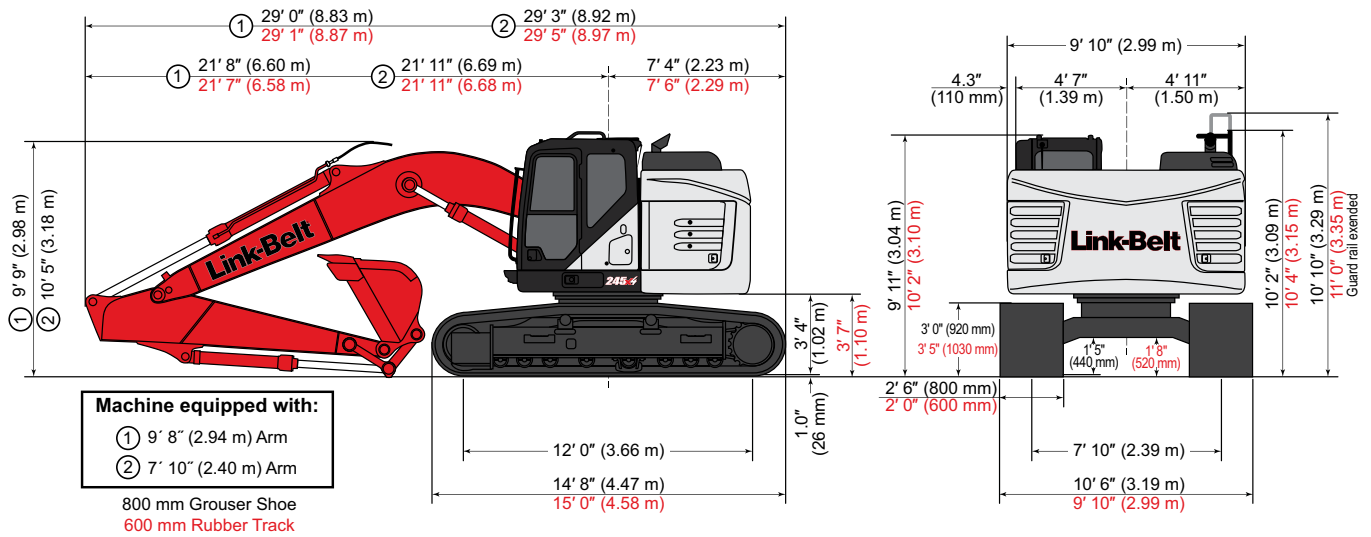
# WORKING RANGE



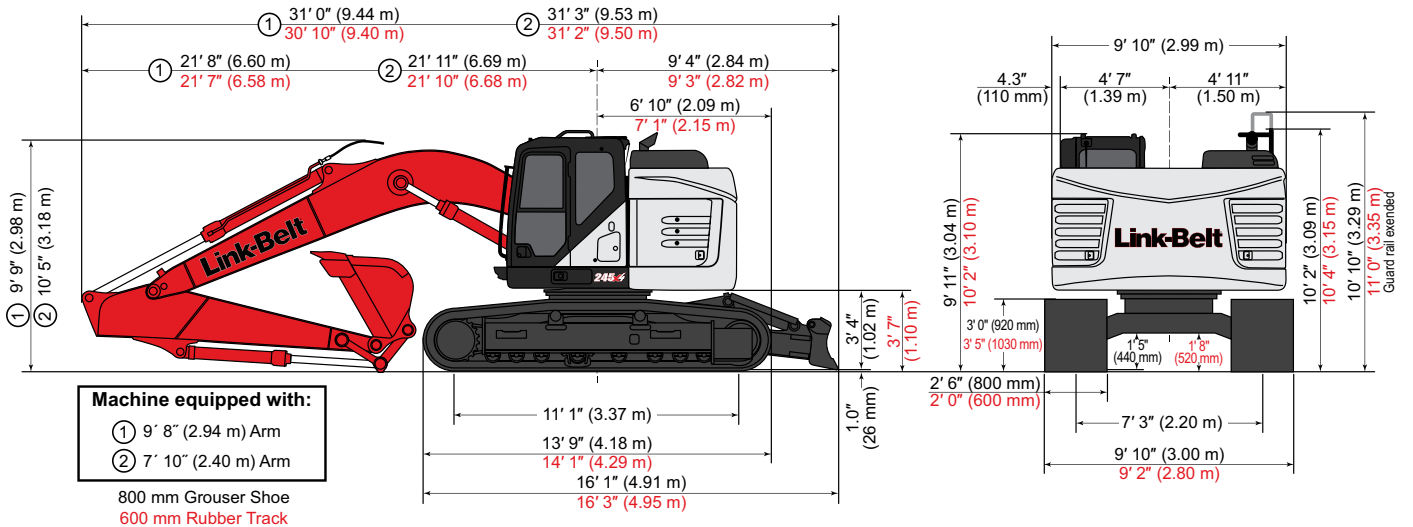
Machine Equipped with 18' 8" (5.70 m) Boom	Arm 9' 8" (2.94 m)	Arm 7' 10" (2.40 m)
A. Maximum reach	32' 4" (9.85 m)	30' 9" (9.37 m)
B. Maximum reach @ ground level	31' 9" (9.67 m)	30' 1" (9.18 m)
C. Maximum dig depth	21' 10" (6.65 m)	20' 1" (6.12 m)
D. Maximum dig height	35' 8" (10.86 m)	34' 6" (10.52 m)
E. Maximum dump height	26' 2" (7.97 m)	25' 0" (7.63 m)
F. Digging depth 8' (2.44 m) level bottom	21' 3" (6.48 m)	19' 5" (5.91 m)
G. Bucket rotation	177°	177°
H. Maximum vertical wall depth	19' 5" (5.92 m)	18' 0" (5.48 m)

# DIMENSIONS

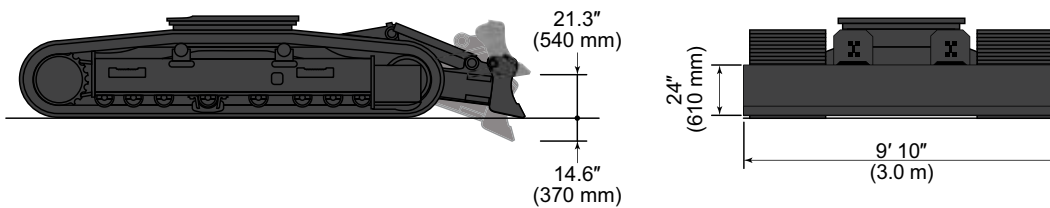
## Long Undercarriage



## Dozer Blade



# BLADE DIMENSIONS



# LIFT CAPACITIES

Radius of Load - Regular Undercarriage with Blade Down																
9' 8" (2.94 m) Arm with 18' 8" (5.7 m) Boom and 1 440 lb. (650 kg) Bucket with Power-Boost Applied - Standard Arm																
End	Side	5' 0" (1.5 m)		10' 0" (3.0 m)		15' 0" (4.5 m)		20' 0" (6.0 m)		25' 0" (7.5 m)		30' 0" (9.0 m)		Max Reach		
		End	Side	End	Side	End	Side	End	Side	End	Side	End	Side	End	Side	
+30' 0"	lbs														5,750*	5,750*
(9.0 m)	kg														2 560*	2 560*
+25' 0"	lbs							8,900*	8,900*						5,000*	5,000*
(7.5 m)	kg							4 050*	4 050*						2 260*	2 260*
+20' 0"	lbs							9,900*	9,900*	9,000*	8,350				4,750*	4,750*
(6.0 m)	kg							4 510*	4 510*	4 100*	3 880				2 150*	2 150*
+15' 0"	lbs			11,000*	11,000*	12,400*	12,400*	11,000*	11,000*	10,100*	8,100	5,350*	5,350*	4,700*	4,700*	
(4.5 m)	kg			5 060*	5 060*	5 770*	5 770*	5 080*	5 080*	4 700*	3 770	3 060*	2 710	2 140*	2 140*	
+10' 0"	lbs			23,900*	23,900*	17,200*	17,150	13,250*	11,200	11,150*	7,800	8,000*	5,650	4,900*	4,900*	
(3.0 m)	kg			11 080*	11 080*	7 990*	7 970	6 130*	5 190	5 120*	3 620	4 090*	2 640	2 210*	2 210*	
+5' 0"	lbs			21,300*	21,300*	20,950*	16,350	15,200*	10,550	12,250*	7,450	8,800*	5,500	5,200*	5,150	
(1.5 m)	kg			9 030*	9 030*	9 710*	7 580	7 030*	4 910	5 650*	3 470	4 520*	2 570	2 350*	2 340	
Ground	lbs			19,700*	19,700*	22,850*	15,450	16,450*	10,100	12,900*	7,200	6,900*	5,400	5,750*	5,350	
Line	kg			8 650*	8 650*	10 550*	7 180	7 600*	4 690	5 950*	3 350	3 940*	2 510	2 600*	2 420	
-5' 0"	lbs	16,450*	16,450*	25,100*	25,100*	22,950*	15,200	16,650*	9,850	12,900*	7,100				6,700*	5,850
(1.5 m)	kg	7 440*	7 440*	11 100*	11 100*	10 580*	7 060	7 700*	4 580	5 960*	3 290				3 030*	2 650
-10' 0"	lbs	22,650*	22,650*	32,150*	30,050	21,900*	15,350	16,000*	10,000	11,700*	7,250				8,500*	6,950
(3.0 m)	kg	10 120*	10 120*	14 820*	14 010	10 130*	7 130	7 420*	4 630	5 510*	3 370				3 800*	3 120
-15' 0"	lbs	32,700*	32,700*	26,750*	26,750*	18,650*	15,850	13,050*	10,400						11,050*	9,300
(4.5 m)	kg	14 510*	14 510*	12 440*	12 440*	8 710*	7 350	6 190*	4 830						5 010*	4 140

Radius of Load - Regular Undercarriage with Blade Up																
9' 8" (2.94 m) Arm with 18' 8" (5.7 m) Boom and 1 440 lb. (650 kg) Bucket with Power-Boost Applied - Standard Arm																
End	Side	5' 0" (1.5 m)		10' 0" (3.0 m)		15' 0" (4.5 m)		20' 0" (6.0 m)		25' 0" (7.5 m)		30' 0" (9.0 m)		Max Reach		
		End	Side	End	Side	End	Side	End	Side	End	Side	End	Side	End	Side	
+30' 0"	lbs														5,750*	5,750*
(9.0 m)	kg														2 560*	2 560*
+25' 0"	lbs							8,900*	8,900*						5,000*	5,000*
(7.5 m)	kg							4 050*	4 050*						2 260*	2 260*
+20' 0"	lbs							9,900*	9,900*	9,000*	7,750				4,750*	4,750*
(6.0 m)	kg							4 510*	4 510*	4 100*	3 620				2 150*	2 150*
+15' 0"	lbs			11,000*	11,000*	12,400*	12,400*	11,000*	10,900	10,100*	7,550	5,350*	5,350*	4,700*	4,700*	
(4.5 m)	kg			5 060*	5 060*	5 770*	5 770*	5 080*	5 040	4 700*	3 510	3 060*	2 510	2 140*	2 140*	
+10' 0"	lbs			23,900*	23,900*	17,200*	16,200	13,250*	10,400	10,850	7,250	7,950	5,250	4,900*	4,850	
(3.0 m)	kg			11 080*	11 080*	7 990*	7 500*	6 130*	4 830	5 030	3 360	3 720	2 440	2 210*	2 200	
+5' 0"	lbs			21,300*	21,300*	20,950*	15,100	14,900	9,800	10,500	6,900	7,800	5,100	5,200*	4,750	
(1.5 m)	kg			9 030*	9 030*	9 710*	7 000	6 910	4 550	4 880	3 210	3 640	2 370	2 350*	2 160	
Ground	lbs			19,700*	19,700*	22,800	14,250	14,450	9,350	10,200	6,650	6,900*	5,000	5,750*	4,900	
Line	kg			8 650*	8 650*	10 550*	6 620	6 720	4 330	4 750	3 090	3 580	2 320	2 600*	2 230	
-5' 0"	lbs	16,450*	16,450*	25,100*	25,100*	22,600	14,000	14,200	9,100	10,100	6,550				6,700*	5,400
(1.5 m)	kg	7 440*	7 440*	11 100*	11 100*	10 520	6 500	6 600	4 230	4 690	3 040				3 030*	2 440
-10' 0"	lbs	22,650*	22,650*	32,150*	27,450	21,900*	14,150	14,300	9,200	10,250	6,700				8,500*	6,400
(3.0 m)	kg	10 120*	10 120*	14 820*	12 790	10 130*	6 570	6 640	4 280	4 770	3 110				3 800*	2 880
-15' 0"	lbs	32,700*	32,700*	26,750*	26,750*	18,650*	14,650	13,050*	9,700						11,050*	8,600
(4.5 m)	kg	14 510*	14 510*	12 440*	12 440*	8 710*	6 790	6 190*	4 500*						5 010*	3 830

## Notes: Excavator lifting capacities

- Lifting capacities shown should not be exceeded. Weight of all lifting accessories must be deducted from the above lifting capacities.
- Lifting capacities are based on machine standing on firm, uniform supporting surface. User must make allowances for job conditions such as soft or uneven ground.
- Lifting capacities shown do not exceed 75% of minimum tipping loads or 87% of hydraulic capacities. **Capacities marked with an asterisk (\*) are limited by hydraulic capacities.**
- Least stable position is over the side.
- Operator should be fully acquainted with the Operator's Manual & Operating Safety Booklet, furnished by LBX before operating the machine.
- Capacities apply only to the machine as originally manufactured and normally equipped by LBX Company, LLC.
- Lift capacity ratings are based on ISO 10567, "Earthmoving Machinery - Hydraulic Excavators - Lift Capacity."



# LIFT CAPACITIES

Radius of Load - Regular Undercarriage with Blade Down													
7' 10" (2.40 m) Arm with 18' 8" (5.7 m) Boom and 1 540 lb. (700 kg) Bucket with Power-Boost Applied - Standard Arm													
End	Side	5' 0" (1.5 m)		10' 0" (3.0 m)		15' 0" (4.5 m)		20' 0" (6.0 m)		25' 0" (7.5 m)		Max Reach	
		End	Side	End	Side	End	Side	End	Side	End	Side	End	Side
+30' 0"	lbs					10,100*	10,100*					8,600*	8,600*
(9.0 m)	kg					3 540*	3 540*					3 820*	3 820*
+25' 0"	lbs					8,150*	8,150*	9,850*	9,850*			7,400*	7,400*
(7.5 m)	kg					3 710*	3 710*	4 450*	4 450*			3 330*	3 330*
+20' 0"	lbs					11,400*	11,400*	10,900*	10,900*	9,850*	8,100	7,000*	7,000*
(6.0 m)	kg					5 220*	5 220*	4 990*	4 990*	4 510*	3 770	3 170*	3 170*
+15' 0"	lbs			18,100*	18,100*	14,450*	14,450*	11,950*	11,450*	10,800*	7,900	6,950*	6,150
(4.5 m)	kg			8 490*	8 490*	6 710*	6 710*	5 540*	5 320	5 000*	3 680	3 150*	2 780
+10' 0"	lbs			26,950*	26,950*	18,600*	17,100	14,000*	10,900	11,700*	7,600	7,150*	5,650
(3.0 m)	kg			10 330*	10 330*	8 600*	7 920*	6 470*	5 070	5 370*	3 540	3 240*	2 570
+5' 0"	lbs					21,750*	15,950	15,700*	10,350	12,550*	7,300	7,550*	5,550
(1.5 m)	kg					10 010*	7 390	7 260*	4 810	5 790*	3 400	3 440*	2 520
Ground	lbs			17,750*	17,750*	23,000*	15,250	16,600*	9,950	12,900*	7,100	8,350*	5,800
Line	kg			7 810*	7 810*	10 610*	7 080	7 680*	4 620	5 970*	3 300	3 790*	2 620
-5' 0"	lbs	19,500*	19,500*	26,000*	26,000*	22,700*	15,200	16,550*	9,850	12,600*	7,100	9,800*	6,450
(1.5 m)	kg	8 740*	8 740*	11 460*	11 460*	10 470*	7 060	7 650*	4 570	5 860*	3 290	4 420*	2 910
-10' 0"	lbs	25,650*	25,650*	30,100*	29,750	21,000*	15,450	15,350*	10,050			11,350*	7,850
(3.0 m)	kg	11 440*	11 440*	13 890*	13 840	9 720*	7 180	7 120*	4 660			5 150*	3 520
-15' 0"	lbs			23,500*	23,500*	16,600*	15,750					11,150*	11,150*
(4.5 m)	kg			10 970*	10 970*	7 810*	7 310					5 060*	4 950

Radius of Load - Regular Undercarriage with Blade Up													
7' 10" (2.40 m) Arm with 18' 8" (5.7 m) Boom and 1 540 lb. (700 kg) Bucket with Power-Boost Applied - Standard Arm													
End	Side	5' 0" (1.5 m)		10' 0" (3.0 m)		15' 0" (4.5 m)		20' 0" (6.0 m)		25' 0" (7.5 m)		Max Reach	
		End	Side	End	Side	End	Side	End	Side	End	Side	End	Side
+30' 0"	lbs					10,100*	10,100*					8,600*	8,600*
(9.0 m)	kg					3 540*	3 540*					3 820*	3 820*
+25' 0"	lbs					8,150*	8,150*	9,850*	9,850*			7,400*	7,400*
(7.5 m)	kg					3 710*	3 710*	4 450*	4 450*			3 330*	3 330*
+20' 0"	lbs					11,400*	11,400*	10,900*	10,850	9,850*	7,500	7,000*	6,700
(6.0 m)	kg					5 220*	5 220*	4 990*	4 990*	4 510*	3 510	3 170*	3 010
+15' 0"	lbs			18,100*	18,100*	14,450*	14,450*	11,950*	10,700	10,800*	7,350	6,950*	5,700
(4.5 m)	kg			8 490*	8 490*	6 710*	6 710*	5 540*	4 980	5 000*	3 420	3 150*	2 570
+10' 0"	lbs			26,950*	26,950*	18,600*	15,850	14,000*	10,150	10,650	7,050	7,150*	5,250
(3.0 m)	kg			10 330*	10 330*	8 600*	7 360	6 470*	4 710	4 960	3 280	3 240*	2 370
+5' 0"	lbs					21,750*	14,700	14,750	9,600	10,350	6,750	7,550*	5,100
(1.5 m)	kg					10 010*	6 820	6 850	4 450	4 810	3 150	3 440*	2 320
Ground	lbs			17,750*	17,750*	22,650	14,050	14,300	9,200	10,150	6,550	8,250	5,300
Line	kg			7 810*	7 810*	10 550	6 520	6 650	4 270	4 710	3 050	3 740	2 410
-5' 0"	lbs	19,500*	19,500*	26,000*	26,000*	22,500	14,000	14,150	9,100	10,100	6,550	9,150	5,950
(1.5 m)	kg	8 740*	8 740*	11 460*	11 460*	10 460*	6 500	6 580	4 220	4 690	3 040	4 140	2 680
-10' 0"	lbs	25,650*	25,650*	30,100*	27,550	21,000*	14,250	14,300	9,300			11,150	7,250
(3.0 m)	kg	11 440*	11 440*	13 890*	12 830	9 720*	6 610	6 650	4 310			5 010	3 250
-15' 0"	lbs			23,500*	23,500*	16,600*	14,650					11,150*	10,350
(4.5 m)	kg			10 970*	10 970*	7 810*	6 800					5 060*	4 590

# LIFT CAPACITIES

Radius of Load - Long Undercarriage															
9' 8" (2.94 m) Arm with 18' 8" (5.7 m) Boom and 1 440 lb. (650 kg) Bucket with Power-Boost Applied - Standard Arm															
End	Side	5' 0" (1.5 m)		10' 0" (3.0 m)		15' 0" (4.5 m)		20' 0" (6.0 m)		25' 0" (7.5 m)		30' 0" (9.0 m)		Max Reach	
		End	Side	End	Side	End	Side	End	Side	End	Side	End	Side	End	Side
+30' 0"	lbs														5,750*
(9.0 m)	kg														2 550*
+25' 0"	lbs							8,900*	8,900*						5,000*
(7.5 m)	kg							4 040*	4 040*						2 250*
+20' 0"	lbs							9,850*	9,850*	8,950*	8,300				4,750*
(6.0 m)	kg							4 500*	4 500*	4 090*	3 880				2 140*
+15' 0"	lbs			11,000*	11,000*	12,400*	12,400*	11,000*	11,000*	10,050*	8,100	5,350*	5,350*	4,700*	
(4.5 m)	kg			5 050*	5 050*	5 760*	5 760*	5 070*	5 070*	4 690*	3 770	3 050*	2 700	2 130*	
+10' 0"	lbs			23,900*	23,900*	17,200*	17,200*	13,250*	11,200	11,100*	7,800	8,000*	5,650	4,850*	
(3.0 m)	kg			11 070*	11 070*	7 980*	7 980*	6 120*	5 200	5 110*	3 620	4 080*	2 640	2 210*	
+5' 0"	lbs			21,300*	21,300*	20,950*	16,400	15,200*	10,600	12,000*	7,450	8,800*	5,500	5,150*	
(1.5 m)	kg			9 020*	9 020*	9 700*	7 610	7 020*	4 910	5 580	3 460	4 180	2 560	2 340*	
Ground	lbs			19,650*	19,650*	22,800*	15,500	16,450*	10,100	11,750	7,200	6,850*	5,400	5,750*	
Line	kg			8 640*	8 640*	10 540*	7 210	7 590*	4 690	5 470	3 340	3 930*	2 510	2 590*	
-5' 0"	lbs	16,450*	16,450*	25,100*	25,100*	22,900*	15,250	16,400	9,850	11,650	7,100			6,700*	
(1.5 m)	kg	7 430*	7 430*	11 100*	11 100*	10 570*	7 090	7 640	4 590	5 410	3 290			3 020*	
-10' 0"	lbs	22,650*	22,650*	32,100*	30,350	21,900*	15,400	16,000*	10,000	11,650	7,250			8,500*	
(3.0 m)	kg	10 120*	10 120*	14 810*	14 140	10 110*	7 160	7 410*	4 630	5 430*	3 360			3 790*	
-15' 0"	lbs	32,700*	32,700*	26,700*	26,700*	18,650*	15,900*	13,050*	10,400					11,000*	
(4.5 m)	kg	14 500*	14 500*	12 430*	12 430*	8 700*	7 380*	6 180*	4 830					5 000*	

Radius of Load - Long Undercarriage													
7' 10" (2.40 m) Arm with 18' 8" (5.7 m) Boom and 1 540 lb. (700 kg) Bucket with Power-Boost Applied - Standard Arm													
End	Side	5' 0" (1.5 m)		10' 0" (3.0 m)		15' 0" (4.5 m)		20' 0" (6.0 m)		25' 0" (7.5 m)		Max Reach	
		End	Side	End	Side	End	Side	End	Side	End	Side	End	Side
+30' 0"	lbs					10,100*	10,100*						8,600*
(9.0 m)	kg					3 540*	3 540*						3 810*
+25' 0"	lbs					8,150*	8,150*	9,850*	9,850*				7,400*
(7.5 m)	kg					3 710*	3 710*	4 450*	4 450*				3 330*
+20' 0"	lbs					11,350*	11,350*	10,900*	10,900*	9,800*	8,050	7,000*	7,000*
(6.0 m)	kg					5 210*	5 210*	4 980*	4 980*	4 500*	3 770	3 160*	3 160*
+15' 0"	lbs			18,100*	18,100*	14,400*	14,400*	11,950*	11,450	10,750*	7,900	6,950*	6,150
(4.5 m)	kg			8 480*	8 480*	6 700*	6 700*	5 530*	5 320	4 990*	3 670	3 140*	2 780
+10' 0"	lbs			26,950*	26,950*	18,600*	17,150	13,950*	10,950	11,700*	7,600	7,100*	5,650
(3.0 m)	kg			10 340*	10 340*	8 590*	7 950*	6 460*	5 070	5 360*	3 540	3 230*	2 560
+5' 0"	lbs					21,750*	16,000	15,700*	10,350	11,900	7,300	7,550*	5,550
(1.5 m)	kg					10 000*	7 420	7 250*	4 810	5 530	3 400	3 430*	2 510
Ground	lbs			17,750*	17,750*	22,950*	15,300	16,500	9,950	11,650	7,100	8,350*	5,750
Line	kg			7 800*	7 800*	10 600*	7 110	7 660*	4 630	5 420	3 300	3 790*	2 610
-5' 0"	lbs	19,450*	19,450*	26,000*	26,000*	22,650*	15,250	16,350	9,850	11,650	7,100	9,750*	6,400
(1.5 m)	kg	8 730*	8 730*	11 470*	11 470*	10 460*	7 090	7 600	4 570	5 410	3 290	4 420*	2 900
-10' 0"	lbs	25,650*	25,650*	30,050*	29,950	21,000*	15,500	15,300*	10,050			11,350*	7,800
(3.0 m)	kg	11 440*	11 440*	13 880*	13 880*	9 710*	7 200	7 110*	4 660			5 140*	3 520
-15' 0"	lbs			23,500*	23,500*	16,600*	15,800					11,100*	11,100*
(4.5 m)	kg			10 960*	10 960*	7 790*	7 330					5 050*	4 960

## Notes: Excavator lifting capacities

- Lifting capacities shown should not be exceeded. Weight of all lifting accessories must be deducted from the above lifting capacities.
- Lifting capacities are based on machine standing on firm, uniform supporting surface. User must make allowances for job conditions such as soft or uneven ground.
- Lifting capacities shown do not exceed 75% of minimum tipping loads or 87% of hydraulic capacities. **Capacities marked with an asterisk (\*) are limited by hydraulic capacities.**
- Least stable position is over the side.
- Operator should be fully acquainted with the Operator's Manual & Operating Safety Booklet, furnished by LBX before operating the machine.
- Capacities apply only to the machine as originally manufactured and normally equipped by LBX Company, LLC.
- Lift capacity ratings are based on ISO 10567, "Earthmoving Machinery - Hydraulic Excavators - Lift Capacity."

# BUCKET SIZES

Bucket Type	SAE Heaped Capacity (yd <sup>3</sup> ) (m <sup>3</sup> )		Width Outside Lip (in) (mm)		Bucket Weight (lbs) (kg)		Number of Teeth	No Blade		Blade	
								Arm Length		Arm Length	
								9' 8"	7' 10"	9' 8"	7' 10"
							2.94 m	2.40 m	2.94 m	2.40 m	
STDP	0.65	0.50	24	610	1151	522	4	H	H	H	H
	0.87	0.67	30	762	1265	574	4	H	H	H	H
	1.09	0.83	36	914	1433	650	5	H	H	H	H
	1.31	1.00	42	1067	1570	712	5	H	H	M	H
	1.53	1.17	48	1219	1687	765	5	M	M	L	M
	1.75	1.34	54	1372	1853	841	6	L	M	L	L
HDP	0.64	0.49	24	610	1392	631	3	H	H	H	H
	0.85	0.65	30	762	1592	722	4	H	H	H	H
	1.07	0.82	36	914	1794	814	5	H	H	H	H
	1.29	0.99	42	1067	1954	886	5	M	H	M	M
	1.51	1.15	48	1219	2114	959	5	M	M	L	M
	1.72	1.32	54	1372	2315	1050	6	L	L	L	L
XDP	0.64	0.49	24	610	1549	703	3	H	H	H	H
	0.85	0.65	30	762	1769	802	4	H	H	H	H
	1.07	0.82	36	914	1933	877	4	H	H	H	H
	1.29	0.99	42	1067	2152	976	5	M	H	M	M
	1.51	1.15	48	1219	2316	1051	5	L	M	L	M
	1.72	1.32	54	1372	2536	1150	6	L	L	L	L
POWER	0.61	0.47	24	610	1956	887	4	H	H	H	H
	0.80	0.61	30	762	2102	953	5	H	H	H	H
	0.99	0.76	36	914	2287	1037	5	H	H	H	H
	1.18	0.90	42	1067	2433	1104	5	M	H	M	M
	1.38	1.06	48	1219	2578	1169	5	M	M	L	M
DITCH	1.08	0.83	60	1524	1470	667	0	H	H	H	H
	1.20	0.92	66	1676	1557	706	0	H	H	H	H
	1.32	1.01	72	1829	1648	748	0	M	H	M	H

STDP - Standard duty plate  
HDP - Heavy duty plate  
XDP - Extreme duty plate  
POWER - HDP for use with ESCO multi-pin grabber only

**Approval Code For Arm/Bucket Combinations**  
H..... Heavy material (up to 3,370 lbs./yd<sup>3</sup>)  
M ..... Medium material (up to 2,700 lbs./yd<sup>3</sup>)  
L..... Light material (up to 2,020 lbs./yd<sup>3</sup>)  
N/A.... Not applicable

# STANDARD & OPTIONAL EQUIPMENT

## STANDARD EQUIPMENT

### CAB

---

- 12V Power Outlet
- AM/FM Sound System
- Anti-Theft Device
- Auxiliary Switches on Control Lever
- Cab Filter - External
- Cab Handrails
- Cab Interior Light
- Cab ISO-Mounts
- Cab Light (2)
- Clear Roof Window
- Climate Control A/C and Heater
- Cup Holder
- Defroster
- Digital Clock
- Emergency Exit and Hammer
- Face Vent
- Floor Mat
- FOPS Level 1 Certified
- Cab OPG Level 1
- Front Window One-Touch Lock
- Gate Lock Hydraulic Activation
- Horn
- Hour Meter (Digital)
- LCD Color Monitor
- Magazine Storage Rack
- Maintenance Interval Reminders
- MP3 Auxiliary Input Jack
- On-Board Diagnostic System
- One-Piece Right Window
- Radio Mute Switch
- Rear View Camera
- Rear View Mirrors (2)
- RemoteCARE Support System (GPS)
- Roof Sun Shade
- ROPS Certified Structure
- Safety Glass Windows
- SCM Mechanical Suspension Seat
- Seat Recline
- Selectable Monitor Languages
- Small Storage
- Travel Alarm with Cancel Switch
- Trip Meter (Digital)
- Wiper & Washer
- Wiper Switch on RH Joystick

### ENGINE

---

- 50A Alternator
- Air Filter (Double Element)
- Air Filter Restriction Indicator
- Auto Warm-Up System
- Auto-Idle
- Auto-Idle Engine Shutdown
- Battery Disconnect Switch
- Cooling Fan
- Diesel Oxidation Catalyst (DOC)
- Drain for Fuel Tank
- Dual Remote Fuel Filters with Water Separators
- EGR Coolers
- Emergency Engine Stop
- Engine Oil Sample Port
- Engine Protection Feature
- External Fuel Gauge
- External DEF Gauge
- Fan Housing
- Fuel Cooler
- Fuel Filter Restriction Indicator
- Fuel Management System
- Fuel Usage History
- Fuel Usage Monitor
- Glow Plug Pre-Heat
- Idle-Start
- Intercooler
- Neutral Start
- One-Touch Idle
- Radiator / Oil Cooler / Intercooler Protective Screen
- Remote Engine Oil Drain
- Remote Oil Filter
- Selective Catalytic Reduction (SCR)
- DEF Gauge on Monitor
- VGT Turbocharger

### HYDRAULICS

---

- Arm Regeneration
- Arm Speed Assistance (2 Pump Flow)
- Attachment Cushion Valve
- Auto Swing Priority
- Auxiliary Flow Control
- Auxiliary Tool Settings (Memory)
- Auxiliary Valve
- Boom Regeneration

- Boom Speed Assistance (2 Pump Flow)
- Bucket Curl Assist
- Control Levers Pre-Wired for Auxiliary Hyd.
- Pattern Control Valve (2 way)
- Electronically Controlled Hydraulic Pumps
- Fire Wall
- Free Swing
- Holding Valve (Arm & Boom)
- Hydraulic Filter Restriction Indicator
- Hydraulic Oil Sample Port
- Long Life Hydraulic Oil (5,000 Hour)
- Neutral Pump De-Stroke
- Oil Cooler
- Power Boost
- Power Save
- Pressure Reading on Monitor
- Pump Stand-By Pressure
- Single Pedal Travel

### UNDERCARRIAGE

---

- 800 mm shoes (31.5 in) 3-Bar Steel (LC)
- Carbody Belly Pan (Swivel Guarding)
- Center Track Guide (single)
- Lashing Points (Tie-Downs)
- Sealed Link Chain
- Steps
- Strutted Track Chain
- X-Pattern Carbody

### UPPERSTRUCTURE

---

- Belly Pans
- Center Cover (Over Main CV)
- Fuel Tank Belly Pan
- ISO Guard Rails
- Lockable Fuel Cap and Service Doors
- Lockable Tool Box
- Work Lights (Boom and Tool Box)

### ATTACHMENT

---

- 18' 8" (5.70 m) Main Boom Section
- Auxiliary Pipe Brackets
- Boom Work Light
- Chrome Pins
- Remote Lube Bank
- Teardrop Pin Retention Keepers

## OPTIONAL EQUIPMENT

### CAB

---

- 230° WAVES™ Camera System
- Cab Light (2 LED)
- Cab Sun Screen (rear)
- FOPS Head Guard (Level 2)
- Front Guard (Mesh)
- Cab OPG Level 2
- LED Light Kit for Side Camera (1)
- LED Lights for Rear Camera (2)
- Rain Deflector
- SCM Air-Suspension Seat with Tilt & Heater

### ENGINE

---

- 85A Alternator
- Refuel Pump
- Tropical Package

### HYDRAULICS

---

- Hose Burst Check Valve
- Proportional Hydraulic Controls

### AUXILIARY HYDRAULIC OPTIONS

---

- Single-Acting Aux. w/ Pedal Activation
- Single-Acting Aux. w/ Proportional Joysticks
- Multi-Function Aux. w/ Proportional Joysticks
- Multi-Function Aux. w/ in-cab pressure setting control
- Thumb Aux. w/ Proportional Joysticks
- Secondary Aux. w/ Proportional Joysticks
- Combination Aux. w/ Proportional Joysticks
- Combination Aux. w/ in-cab pressure setting control
- Bucket Quick Coupler Hydraulics Line

### UNDERCARRIAGE

---

- 600 mm rubber shoes (23.6 in)
- 600 mm shoes (23.6 in) 3-Bar Steel
- 700 mm shoes (27.5 in) 3-Bar Steel
- 800 mm shoes (31.5 in) 3-Bar Steel (DZ)
- Center Track Guide (triple)

### ATTACHMENT

---

- 7' 10" (2.40 m) Short Arm
- 9' 8" (2.94 m) Arm
- HD Bucket Linkage

Litho in USA 4/22 #LBX2459 supersedes #LBX2430

LBX® and Link-Belt® are registered trademarks. Copyright 2022. All rights reserved. We are constantly improving our products and therefore reserve the right to change designs and specifications.